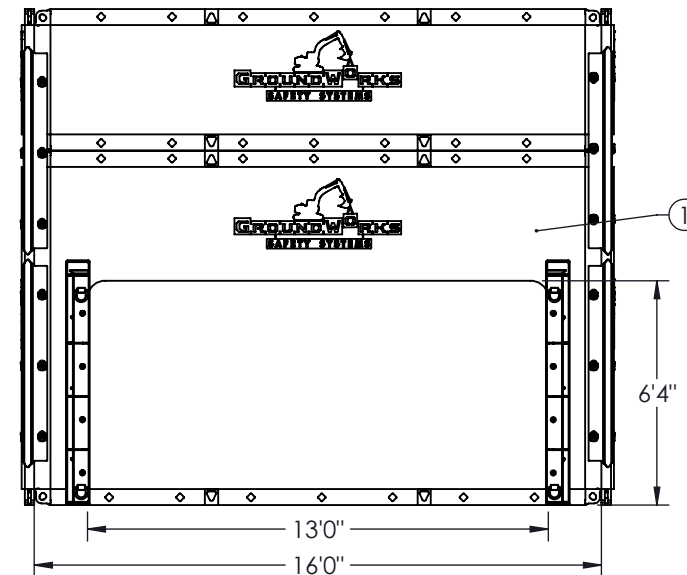
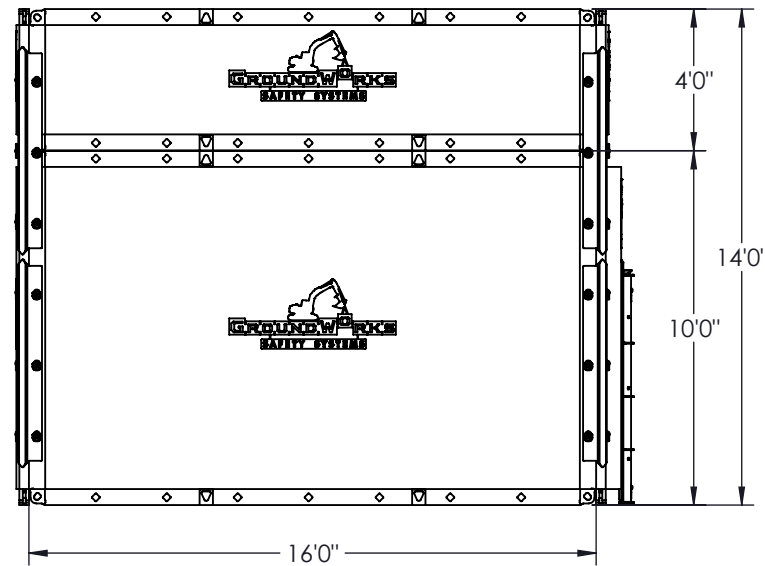
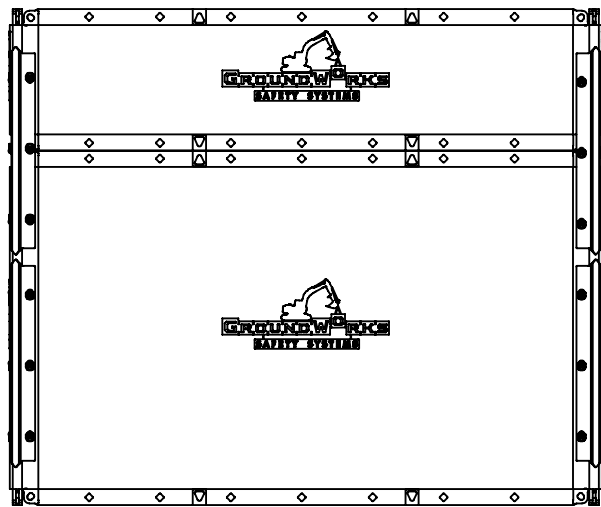
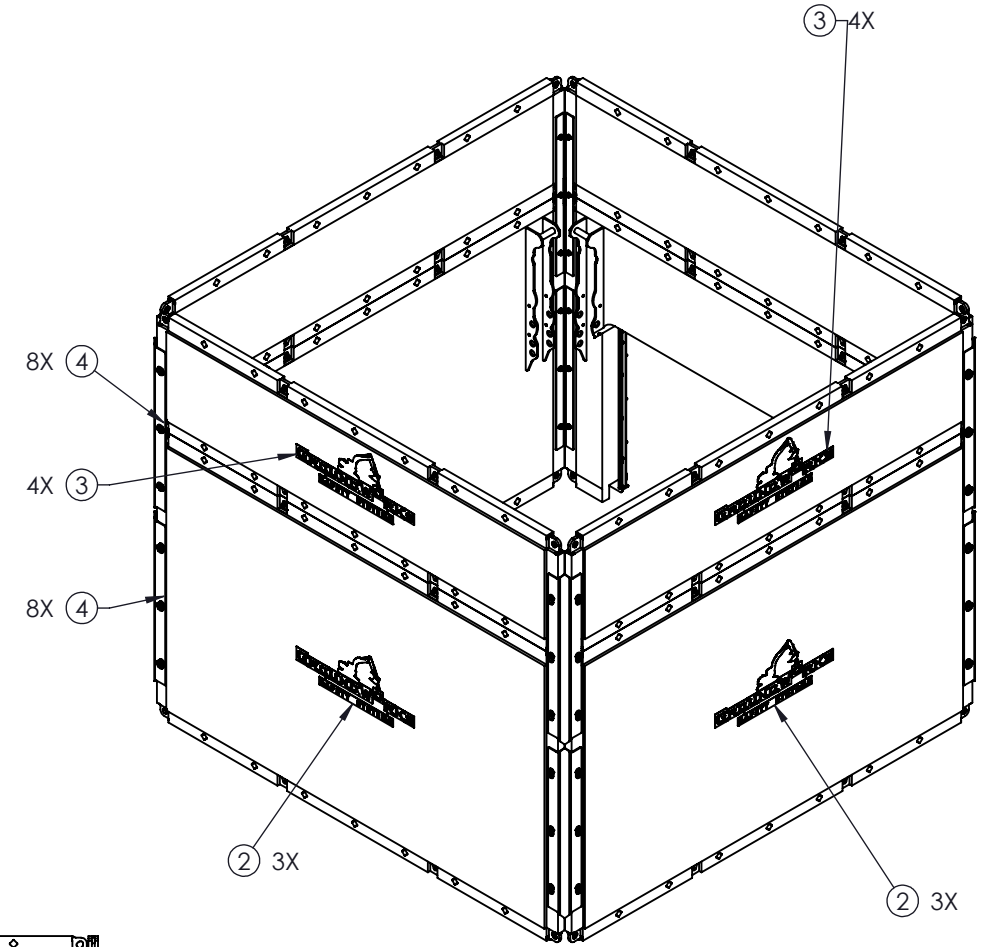
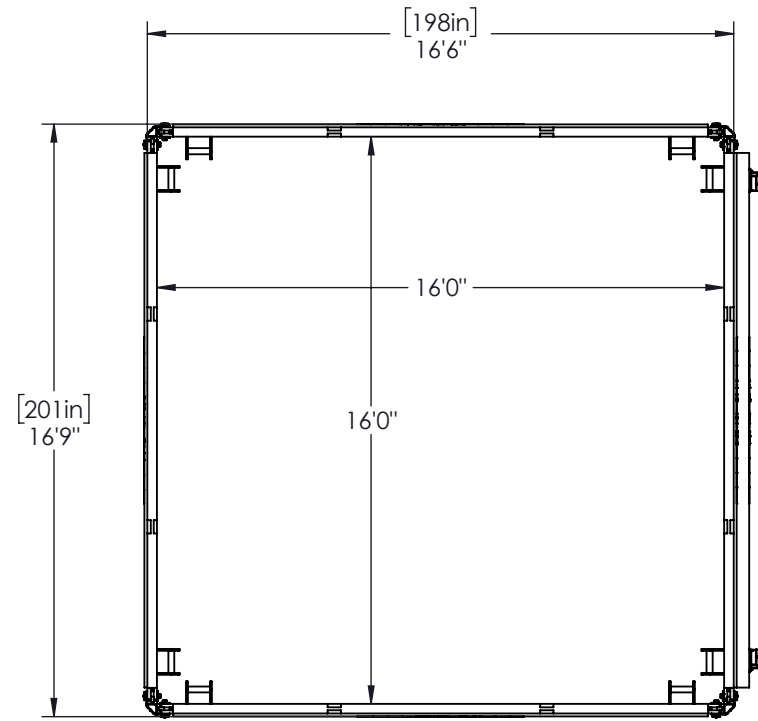



ITEM	Part Config	DESCRIPTION	Config	QTY.	Weight
1	HMG-1016-76X130	10'x16' Heavy Duty Gate Panel with 76X130" Opening	HM10X16 Gate	1	7040
2	MMB-1016	10'x16' Medium Duty Panel	MM 10X16	3	3710
3	MMB-0416	4'x16' Medium Duty Panel	MM 4X16	4	1420
4	AMB22-6	6-Foot Corner Connectors	6 PIN	8	330




 4207 53rd Street Close, Innisfail, Alberta, T4G 1P9
 DWG TITLE: MM 10X16 16LX16WX14D_45 G

NOTICE OF CONFIDENTIALITY: INFORMATION INCLUDED IN THIS DRAWING IS PROPRIETARY, AND IS NOT TO BE REPRODUCED, DISTRIBUTED, OR DISCLOSED EXCEPT AS SPECIALLY AUTHORIZED IN WRITING BY GROUNDWORKS SAFETY SYSTEMS INC.
 SCALE: 1:65
 DATE: 2025-05-05
 WEIGHT: 26490 lbs